

6 5 4 3 2 1

D

D

C

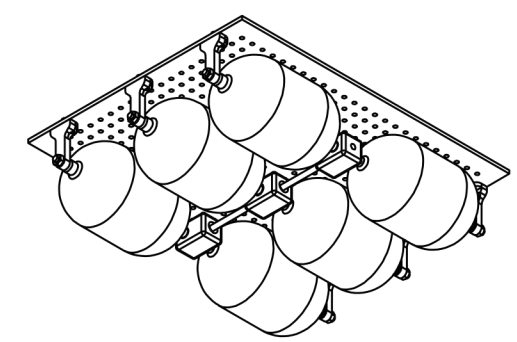
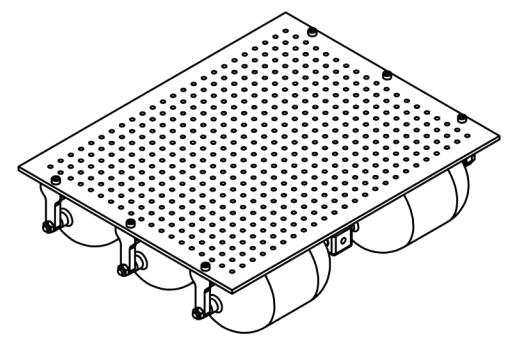
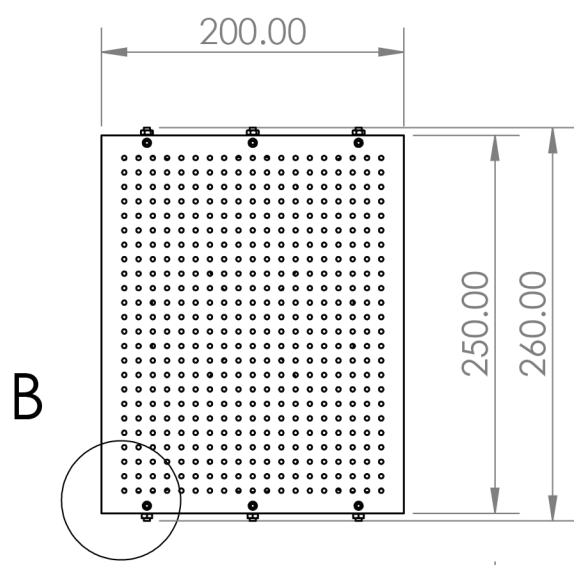
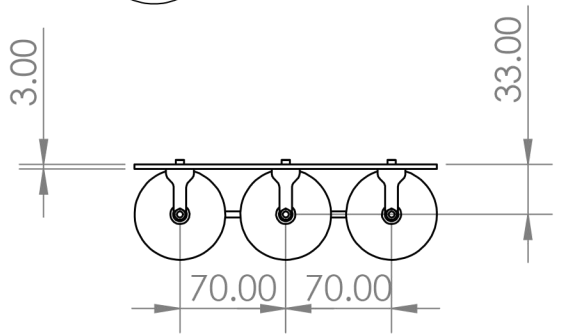
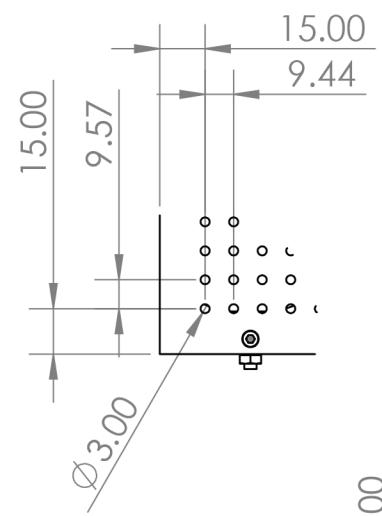
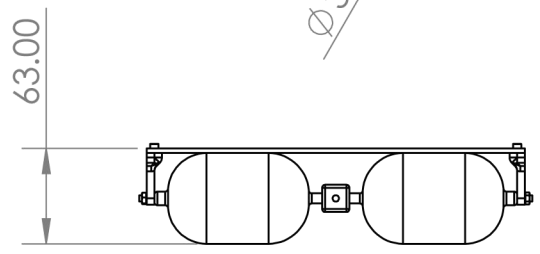
C


B

B

A

A



11 NOV 2022	DO NOT SCALE DRAWING	REVISION
	Hellenic Educational Robotics Organisation	
	Floating Mechanism for MRC Rowing	
	MATERIAL: PLASTIC, METAL RODS	DWG NO.
WEIGHT: approx 450 grams (dev 50gr)	SCALE:1:5	SHEET 1 OF 1

6 5 4 3 2 1